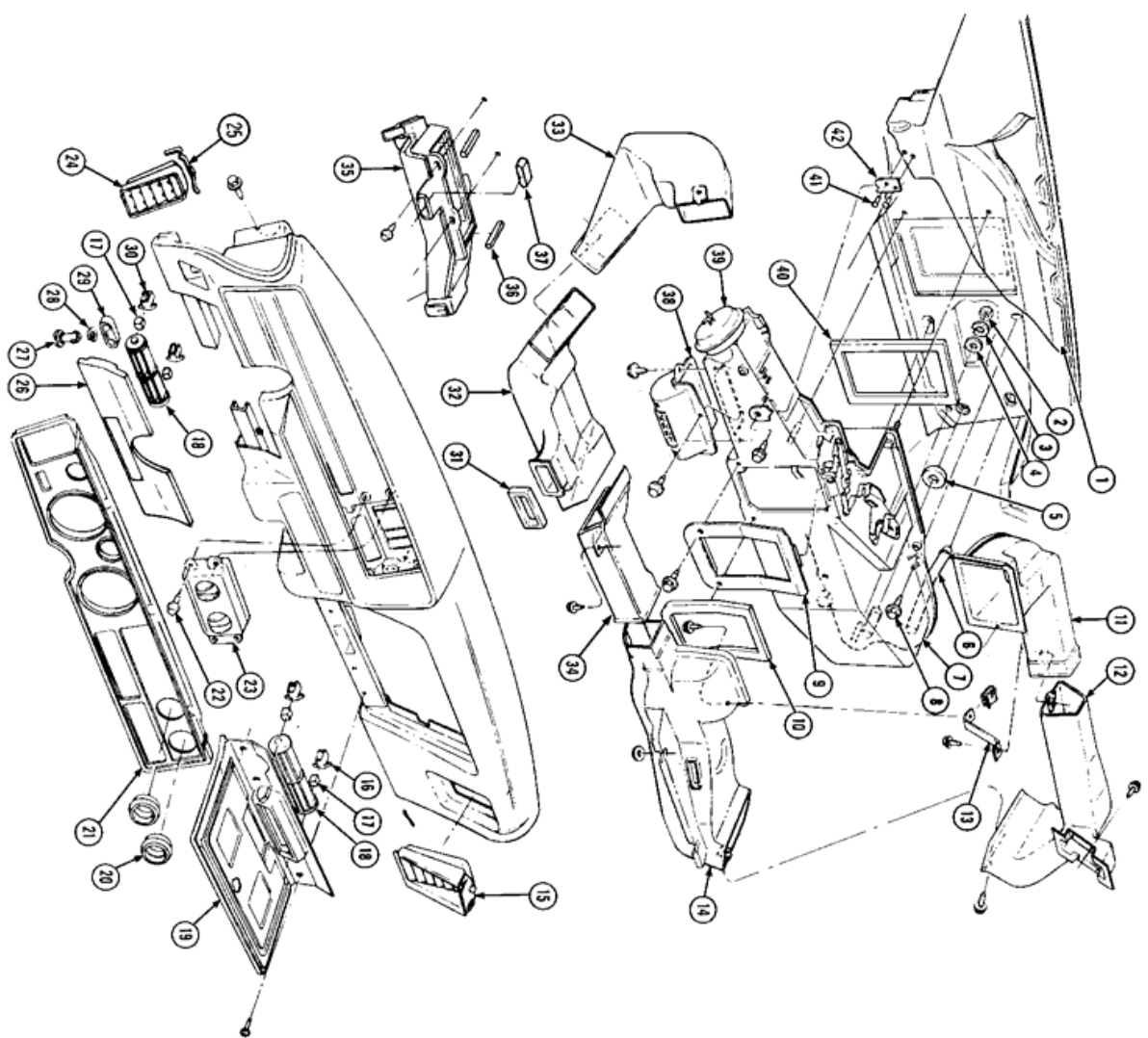


70-81 FIREBIRD . . . A/C & HEATING DUCTING (factory a/c)



Key	Description	Part No.	Qty.	Group
1	OUTLET, Defroster	3963721	1	9.779
2	NUT, Case to Dash (1/4"-.20)	S.S.	AR	8.915
3	LOCKWASHER, Case to Dash (3/4")	103320	AR	8.931
4	WASHER, Case to Dash (13/16" O.D. x 13/64" I.D.)	S.S.	—	—
5	SEAL, Core Tube to Dash—Lower	3973717	1	8.846
6	CORE Heater	3020374	1	8.854
7	CASE, Heater	3022551	1	8.854
8	SCREW, Case to Dash (1/4"-.14 x 1")	S.S.	AR	8.917
9	ADAPTER, Heater to Dist. Duct	9799610	1	9.262
10	SEAL, Duct to Heater Case	9799609	1	9.262
11	DUCT, Air Outlet—Center	477675	1	9.262
12	DUCT, Dist. to R.H. Outlet & Center Duct	9799926	1	9.262
13	STRAP, Center Duct to Dist.	478510	1	9.262
14	DUCT, Air Distributor	9799883	1	9.786
15	DEFLECTOR, Outer Air — R.H.	9790625	1	9.262
16	RETAINER, Deflector — R.H.	480040	1	9.262
17	RETAINER, Deflector — Felt	530067	AR	9.264
18	OUTLET, Air	9790400	2	9.262
19	DOOR, Instrument Panel Compl. (Color)	See Data	1	10.261
20	BEZEL, Trim Plate Opening — 1970-72	See Data	1	10.252
21	PLATE, Instrument Panel Trim	See Data	1	10.252
22	SCREW, Outlet to Pad (#10-16 x 3/4")	S.S.	AR	—
23	OUTLET, Center Air	9799486	1	9.262
24	OUTLET, Outer Air — L.H.	9799761	1	9.262
25	RETAINER, Vent Deflector	478494	1	9.262
26	COVER, Col. Opening	478996	1	6.760
27	STUD, Cover to Pad	479672	2	6.760
28	RETAINER, Cover to Pad	479670	2	6.760
29	RECEPTACLE, Cover to Pad	479671	2	6.760
30	RETAINER, Deflector — L.H.	480039	1	9.262
31	SEAL, Side Vent Duct — L.H.	477722	1	9.262
32	DUCT, Ext. to L.H. Outlet Duct — L.H. — 1970-75	500068	1	9.262
33	DUCT, Air Distributor — 1976-78	549165	1	9.262
34	DUCT, Air Outlet — L.H.	9799880	1	9.262
35	EXTENSION, Main Air Dist. — L.H.	477802	1	9.262
36	OUTLET, Air Dist. Air Center	3967989	1	9.786
37	SEAL, Main Air Dist. Outlet	3942649	1	9.262
38	SEAL, Heater Air Outlet	481865	1	9.262
39	OUTLET, Air Dist.—Center Exc. Stereo Tape or Console	3967971	1	9.786
40	ELEMENT, Vacuum Defroster	1998978	1	9.779
41	GASKET, Heater and A/C Distributor Duct	3963725	1	8.854
42	RIVET, Bracket to Nozzle	N.S.	—	—
42	BRACKET, A/C and Heater Select Duct	3973783	1	9.211