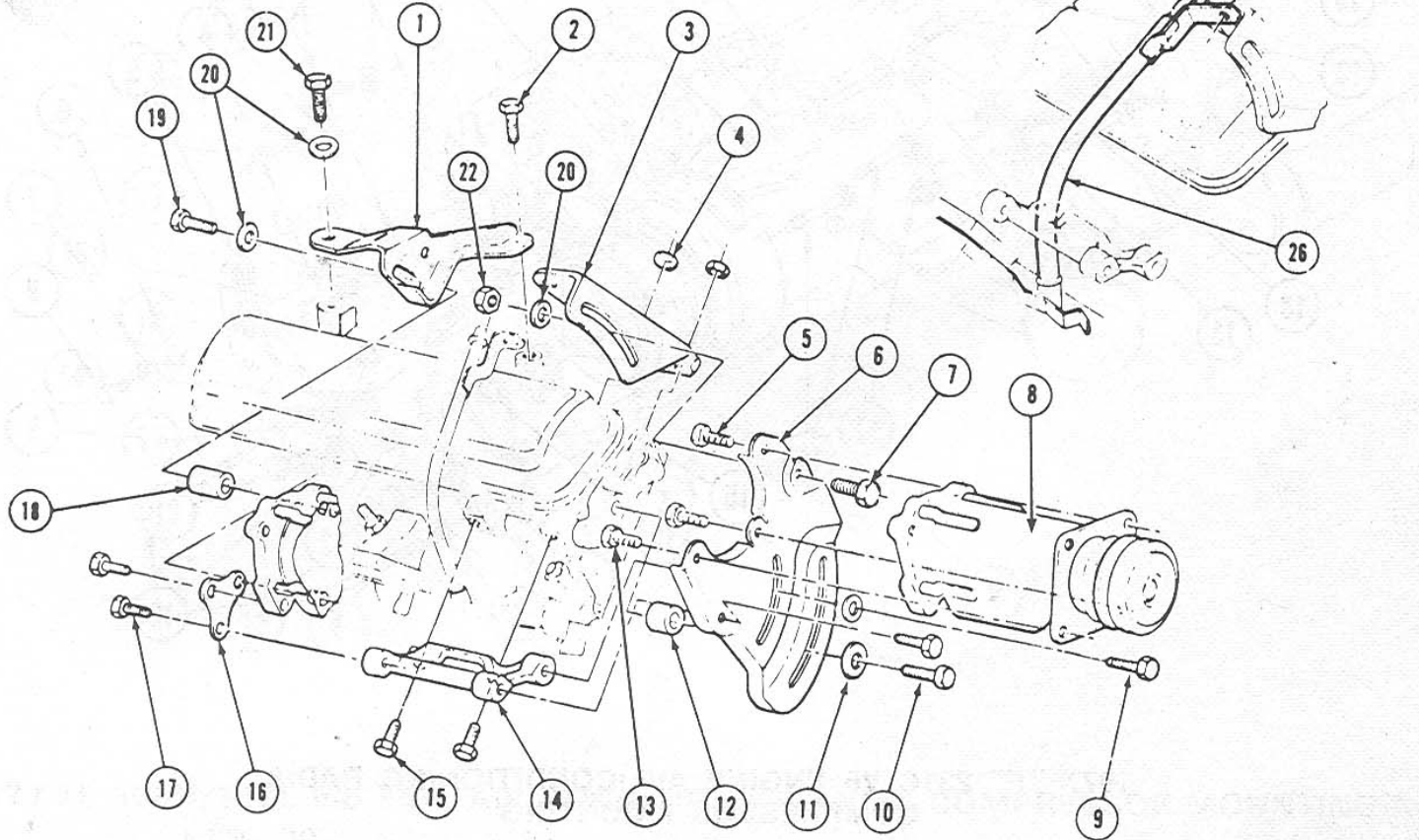


L27 ENG.(W/AXIAL COMP.)



**1972-81 Pontiac V8 (301/350/400/455)
COMPRESSOR MOUNTING**

1.	9.171	BRACE, Comp. Rear (350P, 400Z)	547654	13.	8.900	BOLT ($\frac{5}{16}$ " - 24 x $\frac{3}{4}$ ")	S.S.
2.	8.900	BOLT ($\frac{3}{8}$ " - 16 x $\frac{5}{8}$ ")	S.S.	14.	9.171	BRACKET, Comp. Mounting	491877
3.	9.171	BRACE, Comp. Front	549501	15.	8.900	BOLT ($\frac{3}{8}$ " - 16 x $1\frac{1}{4}$ ")	S.S.
4.	8.915	NUT ($\frac{5}{16}$ " - 18)	S.S.	16.	9.171	PLATE, Comp. Mtg. Rear	480526
5.	8.900	BOLT ($\frac{5}{16}$ " - 24 x $\frac{3}{4}$ ")	S.S.	17.	8.900	BOLT ($\frac{3}{8}$ " - 16 x $\frac{7}{8}$ ")	S.S.
6.	9.171	SUPPORT, Comp. Front — w/350P, 400 Eng.	489169	18.	9.171	SPACER, Rear Brace to Compressor	483338
		w/301	526970	19.	8.900	BOLT ($\frac{3}{8}$ " - 16 x 2")	S.S.
7.	8.900	BOLT ($\frac{3}{8}$ " - 18 x $\frac{7}{8}$ ")	S.S.	20.	8.929	WASHER ($\frac{3}{8}$ " I.D. x $\frac{3}{4}$ " O.D.)	S.S.
8.	9.170	COMPRESSOR, Air Conditioning	See Data	21.	8.900	BOLT ($\frac{3}{8}$ " - 16 x $\frac{3}{4}$ ")	S.S.
9.	8.900	BOLT ($\frac{3}{8}$ " - 16 x 1")	S.S.	22.	8.915	NUT ($\frac{3}{8}$ " - 16)	S.S.
10.	8.900	BOLT ($\frac{3}{8}$ " - 16 x $1\frac{7}{8}$ ")	S.S.	23.	9.171	BRACE, Comp. Rear (301Y)	527298
11.	8.929	WASHER ($1\frac{1}{32}$ " I.D. x $1\frac{1}{4}$ " O.D.)	S.S.	24.	2.408	STUD, Comp. Rr. Brkt. to Mnfld.	N.L.
12.	9.171	SPACER, Frt. Supt. to Cyl. Head — 1976-77	527346	25.	1.516	GAUGE, Oil Level (w/A.C.) — w/350P, 400Z Eng.	9793341
		1978	546767			w/301 Eng.	547866
				26.	1.516	TUBE, Oil Level (w/A.C.)	480843